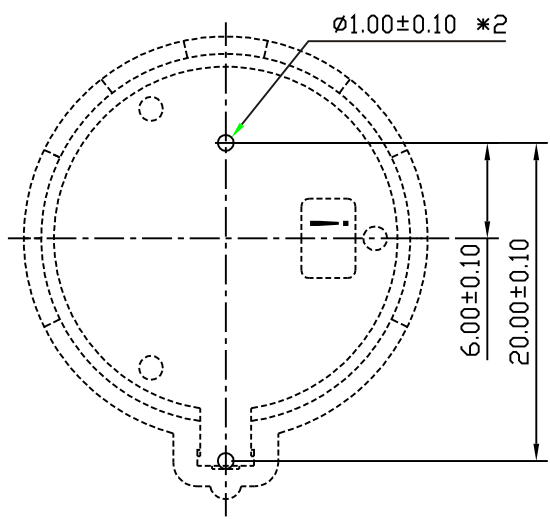


- NOTES
1. MATERIALS:
HOUSING-PBT 30%GF UL94V-0.
CONTACT-PHOSPHOR BRONZE, C5191R-H T=0.6mm.
 2. FLASH: 0.25mm MAX.
 3. CAMBER: 0.13mm MAX. DEFORMATION: NA.
WARP: 0.13mm MAX TWIST: NA



BTH-D-xx-LF
LEADFREE

RoHS-Compliant

RECOMMEND PCB LAYOUT
COMPONENT SIDE

PART NO	ϕA	B
BTH-D-20	22.8	27.8
BTH-D-23	25.4	29.0



煜倫股份有限公司

PART NO. BTH-D-xx		CHECKED BY CY		TOLERANCES ARE .X ± 0.2 .XX ± .XXX ± AWG	DESCRIPTION: BATTERY HOLDER ASS'Y	AREA	REVISIONS	HK	DATE
DWG NO. BTH-D-xx		DRAWING BY							
FILE NO.		PROJECTION							
UNIT / mm	SCALE 1:1								